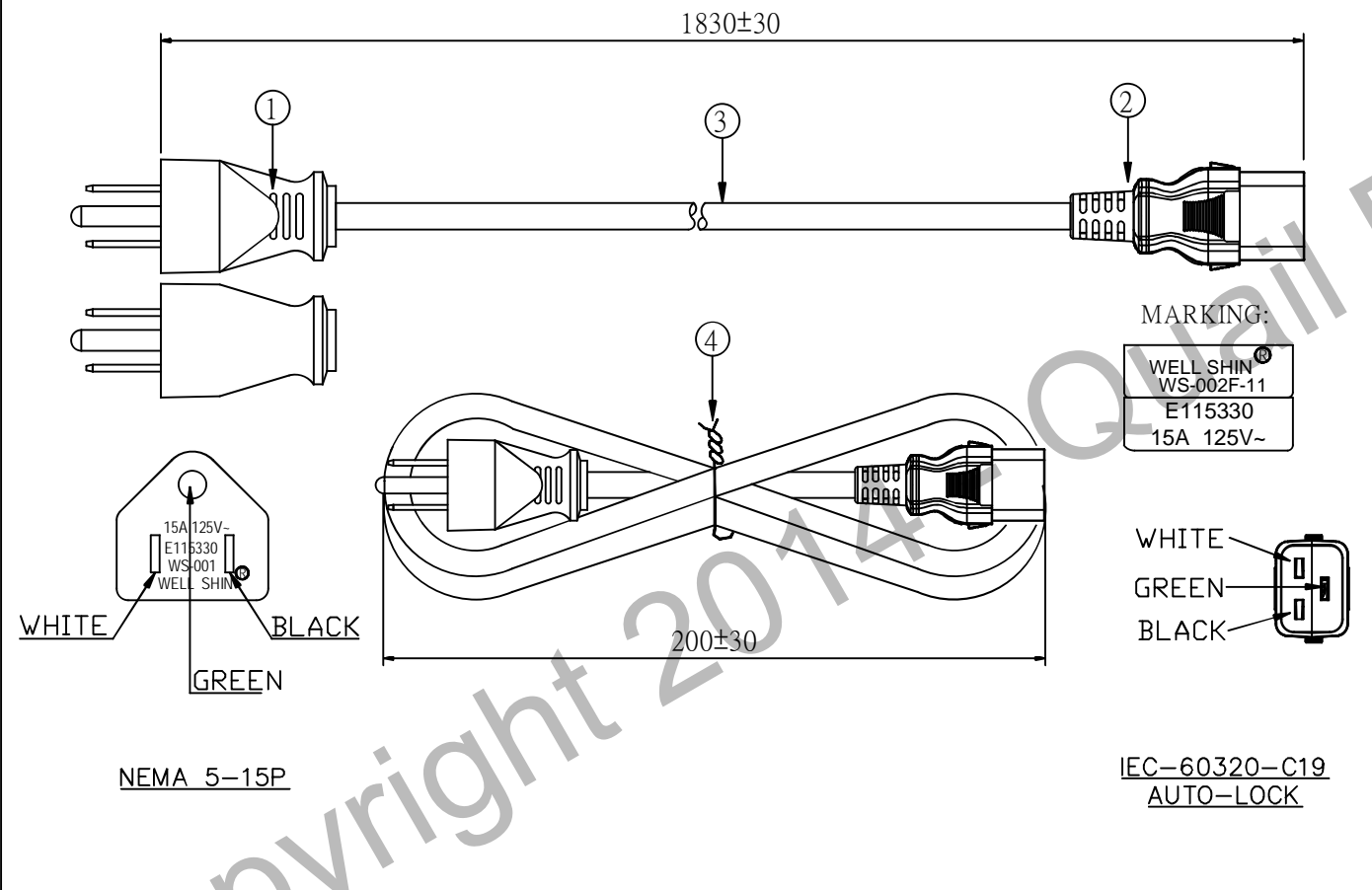


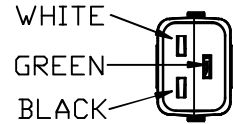
CUSTOMER: P/N: 5050.072AL REV. APPROVED BY:

REVISIONS		
REV.	DESCRIPTION	DATE
△A		
△B		
△C		
△D		
△E		



NOTES:
1. RoHS

MARKING:
WELL SHIN®
WS-002F-11
E115330
15A 125V~



NEMA 5-15P

IEC-60320-C19
AUTO-LOCK

④	Cable tie	BLACK	1
③	SJTW 14AWG*3C 105°C APPROVAL : UL,CSA	BLACK	1
②	WS-002F-11 15 (A) 125 (V) APPROVAL : UL,C-UL	BLACK	1
①	WS-001 15 (A) 125 (V) APPROVAL : UL,C-UL	BLACK	1
ITEM	DESCRIPTION	COLOR	Q'TY

SIGNATURE	
SAFETY ENGINEER:	
MANAGER BY:	
CHECKED BY:	
DRAWN BY:	

QUAIL ELECTRONICS, INC.
<http://www.quail.com>

PRODUCT NO.: 001+002F-11	DATE: 2014/09/09
UNIT: mm	SHEET: 1 OF 1
DWG NO: 0096-4806	