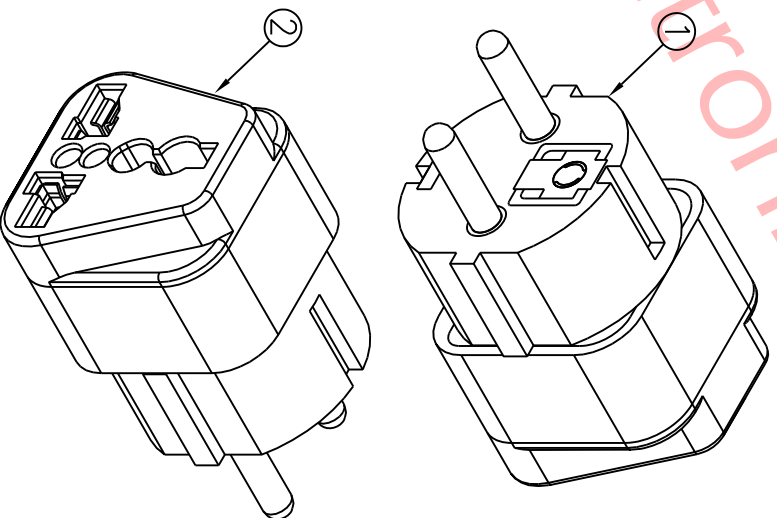
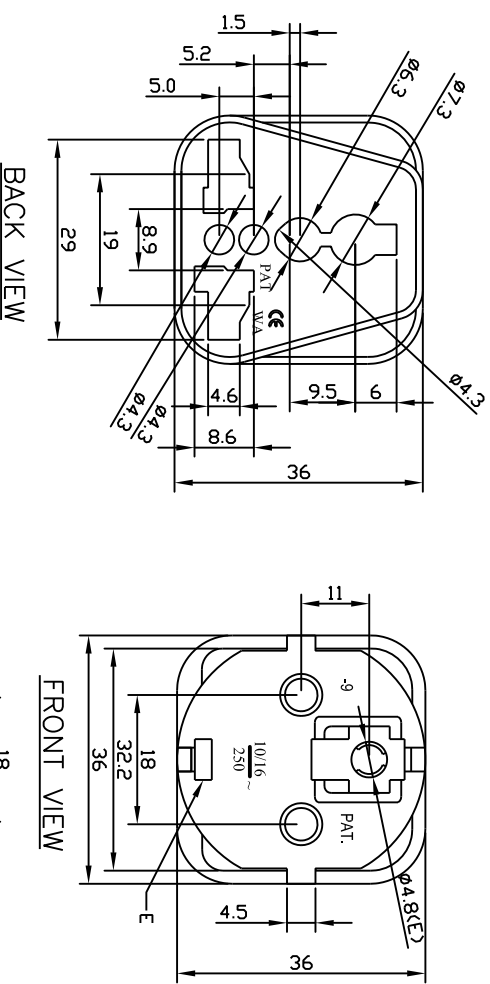


**RoHS** (2002/95/EC) COMPLIANT

CUSTOMER: P/N: 0521.BG REV. APPROVED BY:

REVISIONS			
REV.	DESCRIPTION	DATE	APP'D.



NOTES:

**PRODUCT SPECIFICATIONS:**

- COLOR: BEIGE
- ① INPUT: CEE 7/7 EUROPEAN PLUG "SCHUKO" 16 (A) 250 (V) APPROVAL: CE
- ② OUTPUT: UNIVERSAL ADAPTER 16 (A) 250 (V) APPROVAL: CE

ENGINEER:	SIGNATURE	 <p><b>QUAIL ELECTRONICS, INC.</b>  <a href="http://www.quail.com">http://www.quail.com</a></p>
MANAGER:		
CHECKED BY:		
DRAWN BY:		
PRODUCT NO.:	DATE:	
UNIT: mm	SHEET: 1 OF 1	REV.
DWG NO.:		

THE INFORMATION CONTAINED HEREIN IS PROPRIETARY TO QUAL ELECTRONICS, INC. ANY USE OR DISCLOSURE OF THIS INFORMATION, EXCEPT FOR THE EXCLUSIVE BENEFIT OF QUAL ELECTRONICS, INC. IS PROHIBITED.